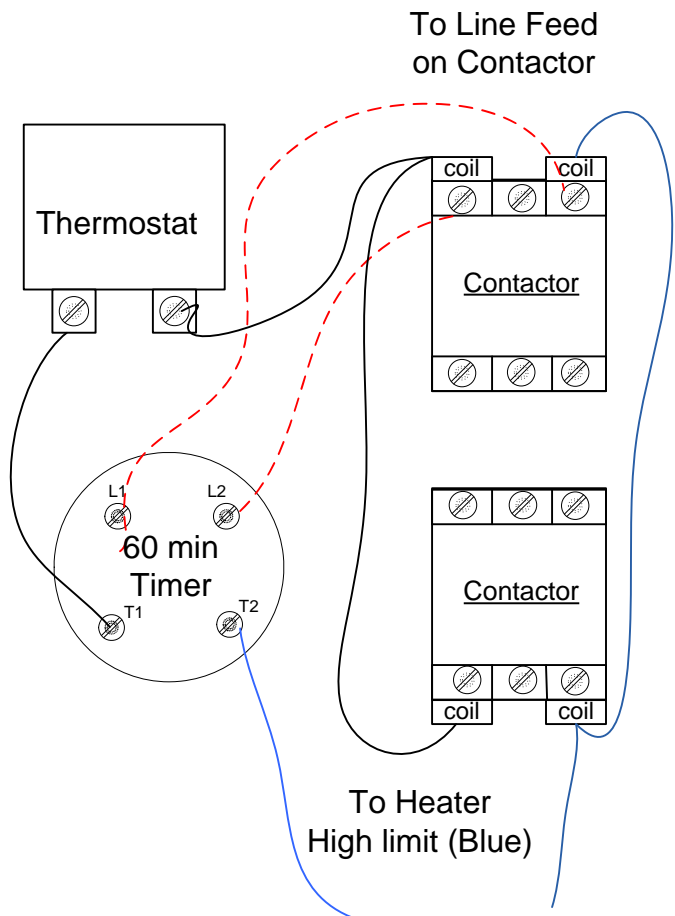
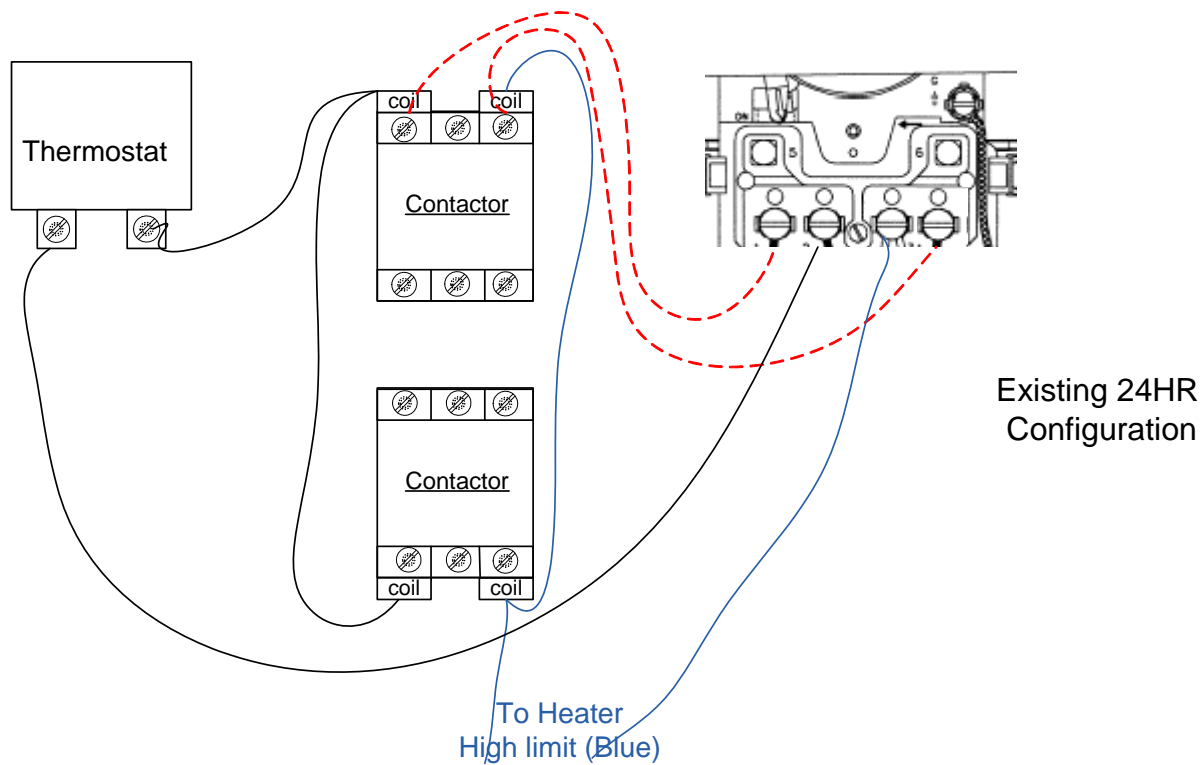


## Transitioning From 24 Hour Timer to 60 Minute Timer



- Line feeds from Contactor connect to L1 & L2 on timer.
- T1 connects in series to Thermostat and to left coils of both contactors.
- T2 pig-tails connect to field high-limit wiring, which will return back to right side coils of both contactors.