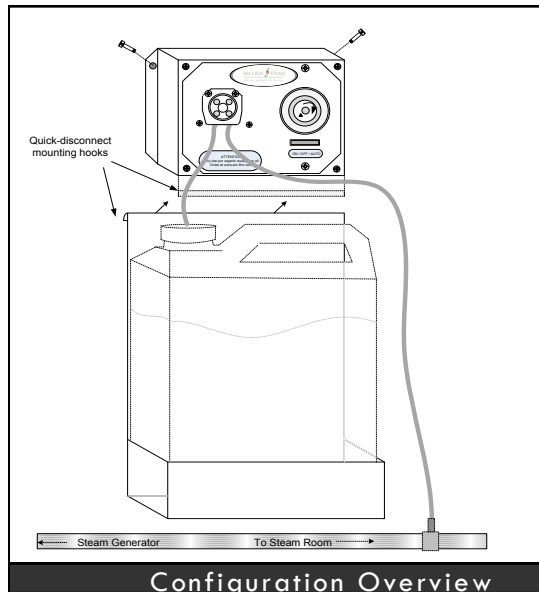


## AROMA-GUARD II INSTALLATION INSTRUCTIONS



### PLUMBING

- Mount the Aroma-Guard II to the wall with the reservoir mounted directly below.
- Connect delivery hose to the copper steam line using the provided saddle-valve.
- Insert the intake hose into the oil reservoir.

**WARNING:** Use only with nonflammable liquids. Only use 100% natural and organic essential oils. Do not use oils containing alcohol, chemicals and other additives not approved by the FDA.

### PROGRAMMING

The timer dial contains 72 “trippers” which, when set at the inner perimeter of the dial, will turn the switch “ON” at the time adjacent to the tripper. The switch will return to the “OFF” position when the timer progresses past the inward trippers.

The 72 trippers allow multiple on/off sequences with a minimum on or off time of 20 min. To program, set all trippers inward for the duration of the on event.

For example, to turn the Aroma-Guard on at 5:00pm and off at 11:00pm, leave inward the 18 trippers between 5 and 11 on the “pm” side of the dial. Make sure manual switch is in the “AUTO” position.

**NOTE:** For any times where “OFF” programming is desired, the trippers must be moved to the outer perimeter of the dial.

### SETTING THE TIME

Rotate the dial *clockwise* until the correct time and “am” or “pm” is opposite the arrow on the plate.

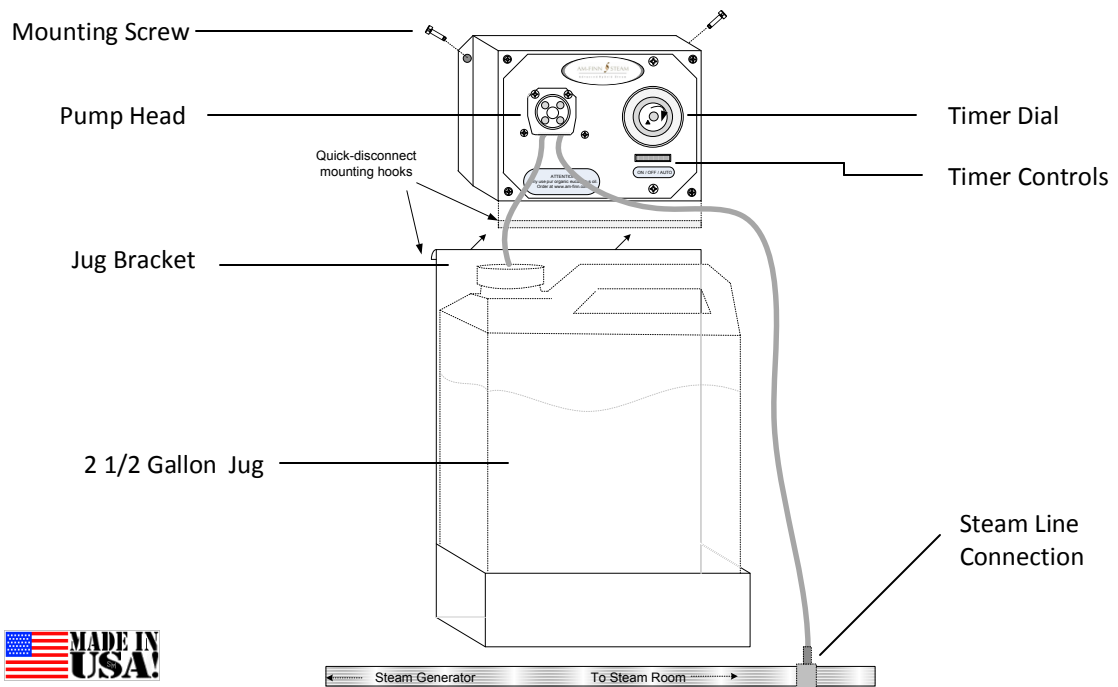
**CAUTION:** Do not turn dial counter-clockwise, as the timer will be damaged

## Most Complete Line of Commercial Steam Accessories

### Commercial Steam Accessory



An all metal 120VAC gear-motor turns roller which moves fluid through tubing. Replacement tubing is available. Peristaltic Pump, Maximum Pressure 15 PSI, Maximum Feed Rate 0.05 GPH. Maximum revolutions per Minute 10, Volts 120, , Tubing Size Outside Diameter 5/16 Inch Inside Diameter 1/8 Inch, Width 6 Inches, Depth 2 1/4 Inches, Height 4 1/2 Inches.



### The Truth About Steam Rooms

Steam rooms have been in use for centuries. Widely used in Europe and Asia, steam room usage is on the rise in the US and offer substantial therapeutic and medical benefits. The risk with steam rooms, however, is in its design. Standard US steam rooms are made with ceramic and/or natural tile. Unlike the dry sauna (temperatures average 180 deg F), steam rooms are a warm wet environment (temperatures average 108 deg F), which, when combined with the human presence, provide an ideal environment for mold, mildew, bacterial and many human related pathogens such as Staff. Tile and grout are porous and difficult to clean. Tile rooms also require substantial energy to heat as the tile and CMU wall construction act as heat conductor transferring the heat from the room to the walls.. Today, many architects and commercial club operators are replacing tradition tile rooms with the Advanced Hybrid Steam rooms. More than 50% energy efficient than tile, automatic cleaning system (cleans green) and substantial elimination of mold, mildew and other pathogens harmful to human contact. When it is time to re-tile , contact a Scandia representative.

