



## COMMERCIAL MODULAR SAUNA

ELECTRICAL NOTES: For heater, controls and light installation - refer to the heater installation instructions. The Sauna and all of its components must be installed by certified professionals and according to local codes. All national and local safety requirements must be met during handling and installation of the sauna.



Certified  
Products



Government  
Approved



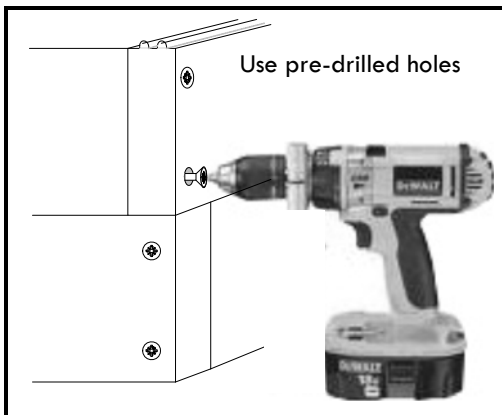
Preferred  
Vendor

## SCANDIA MODULAR SAUNA ASSEMBLY INSTRUCTIONS

**Getting Started:** all wall panels are labeled (e.g. left side lower or back middle...). Sort all panels to be oriented according to their respective sides. You will need the following tools in order to complete the assembly of the sauna: screw drill/driver, large rubber mallet (white - cannot use black), brad nailer (pin nailer). 4ft level.

### Building Wall and Ceiling

Step 1: beginning with the lower left side wall, attach first the back wall and continue attaching each successive lower wall. (excluding the front wall). Each seam joint connection is to be screwed tightly with supplied 3 1/2" screws (see illustration below). Move lower wall assembly onto the exact location the sauna will permanently rest. Once in place, ALL THREE WALLS MUST BE LEVEL, use shims in order to level the walls when on a un-even surface. Please note that when choosing shim material, these shims must remain in place (permanent). The door opening (rough opening) is 38", the opening between to two front walls must be 38" when positioning the walls in place (26" for a 24" door).



Step 2: put in place the second level panels in the same sequence as the bottom panels. Before putting in place, run a bead of Tite-Bond glue along the tongue on the top board of the bottom panels. Bench brackets are pre-mounted on the specific panels - this must be considered so that the correct panels are positioned in their correct location.



Step 3: Place the lower front wall panels in place after all three "middle-wall" panels are in place. Be sure all joints are screwed tightly at this point.



Note: Extra care is needed when placing the upper control panel wall in place. For modular saunas, the controls are always on the opposite side of the wall of the heater. Extra care is required to ensure the thermostat capillary line is not crimped or damaged during the installation process.



## SCANDIA MODULAR SAUNA ASSEMBLY INSTRUCTIONS

Step 5: insert header board across the top two front walls. The header board will establish proper spacing for the door rough opening. Glue and fasten header board with the supplied screws.



Step 6: insert ceiling panels. All ceiling panels rest on pre-mounted ceiling trim boards. Once in place, make sure ceiling panel seams are tight, then lock in ceiling panels with supplied screws. The ceiling panel screws holes are pre-drilled and located along the top edge of both side panels.

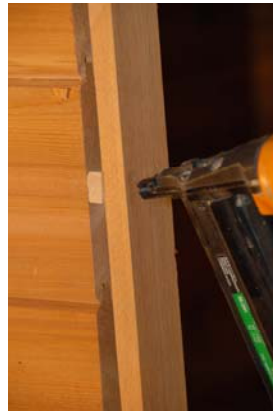
### Installing the door



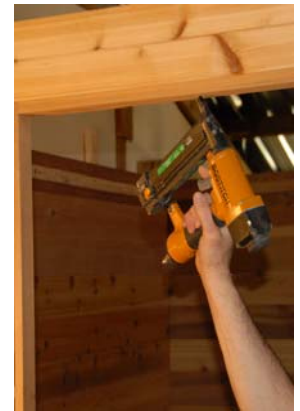
Step 6: Put pre-hung door in place. Be sure to center the door/ door jamb on the wall.



Step 7: Once in place, and the door is plumb, fasten the door/ door jamb to the wall with supplied screws THROUGH THE HINGE MOUNTING HOLES.



Step 8: Once the hinge side is mounted. Close the door and adjust the rest of the jamb into the right position. Shims will be required, use a brad nailer to lock in the jamb/shims. A door should have at least 4 shim locations on the side and 2 on the top.



NOTE: Once the door jamb is set to the to the right location and showing the desired reveal, you can use set screws in the jamb or secure with brad nails. Finish out the door frame with the pre-cut door trim (door casing) using the brad nailer.

## SCANDIA MODULAR SAUNA ASSEMBLY INSTRUCTIONS

### Installing the Benches



Step 9: Wall bench brackets are pre-installed and benches are pre-built. With the appropriately labeled bench, insert one end on top of the first bracket with the opposite end at a higher elevation. Once the first end is in place drop the opposite end down onto the bracket. If it is a tight fit, use the rubber mallet to drop in place.



(Bench in place on bench bracket)

NOTE: depending on the presents of any irregularities of the floor, walls being slightly out of square... benches may be tight at certain locations. In this case, you may be required to lightly sand the bench rails in order to allow easy placement.

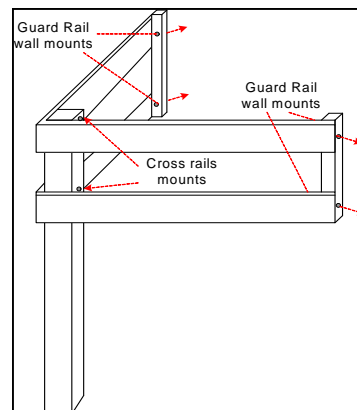
### Installing the Trim and Guard Rail



Step 10: Before mounting trim pieces, the stainless steel locking brackets on one side of each corner. These brackets run from top to bottom.



Step 11: All interior and exterior trim pieces are labeled and ready for mounting. They can be brad nailed into place. The exterior trim can be fastened with supplied screws on the corners (as shown above). Plug the holes with the supplied cedar dowels for a beautiful finished look



Step 12: Heater guard rails need minor assembly. First - mount the cross rails to the primary corner post. These holes are pre-drilled and they need to be drilled from the back. Once assembled, position the guard rail with proper distancing from the heater. Make sure railings are square. Drill the guard rail into the wall with supplied screws.

**ELECTRICAL NOTES:** For heater, controls and light installation - refer to the heater installation instructions. The Sauna and all of its components must be installed by certified professionals and according to local codes. All national and local safety requirements must be met during handling and installation of the sauna.